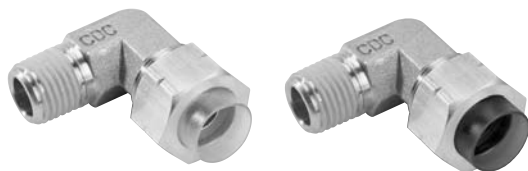
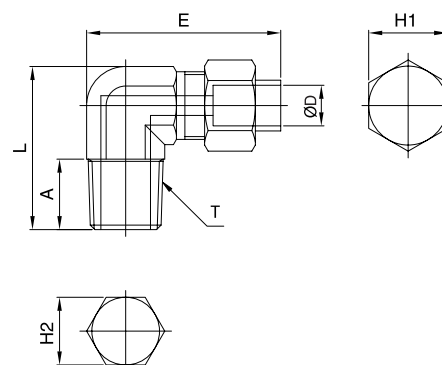


CL



METRIC-BSPT(R)

MODEL	∅D	T	L	E	A	H1(Hex)	H2(Hex)	ORIFICE	WEIGHT(g)	BOX(EA)
CL 4×2-01	4	R 1/8	23.8	29.4	12.0	10	12	1.0	19.5	100
CL 4×2-02		R 1/4	28.9	32.4	12.5				26.5	100
CL 6×4-01	6	R 1/8	23.8	28.8	12.0	12	12	2.5	21.3	100
CL 6×4-02		R 1/4	28.9	33.0	12.5				28.6	50
CL 6×4-03		R 3/8	34.1	34.1	13.5				30.0	50
CL 8×5-01	8	R 1/8	27.9	34.2	12.0	14	12	3.5	28.8	50
CL 8×5-02		R 1/4	28.9	33.9	12.5				30.3	50
CL 8×5-03		R 3/8	34.1	36.0	13.0				33.0	50
CL 8×6-01	8	R 1/8	27.9	33.8	12.0	14	12	4.5	28.4	50
CL 8×6-02		R 1/4	28.9	34.1	12.5				30.1	50
CL 8×6-03		R 3/8	34.1	36.0	13.5				35.0	50
CL 10×6.5-02	10	R 1/4	33.1	39.1	13.0	17	14	5.0	49.3	50
CL 10×6.5-03		R 3/8	34.1	38.8	13.5				49.9	50
CL 10×6.5-04		R 1/2	41.1	39.8	19.0				73.0	25
CL 10×8-02	10	R 1/4	33.1	39.0	13.0	17	14	6.5	48.3	50
CL 10×8-03		R 3/8	34.1	38.9	13.5				48.5	50
CL 10×8-04		R 1/2	41.1	39.8	15.0				72.8	25
CL 12×8-02	12	R 1/4	33.1	40.0	13.0	19	14	6.5	50.7	50
CL 12×8-03		R 3/8	34.1	40.0	13.5				51.9	50
CL 12×8-04		R 1/2	41.1	41.0	19.0				76.6	25
CL 12×9-02	12	R 1/4	33.1	40.2	13.0	19	14	7.5	50.1	50
CL 12×9-03		R 3/8	34.1	40.1	13.5				51.0	50
CL 12×9-04		R 1/2	41.1	41.5	19.0				76.0	25
CL 16×12-03	16	R 3/8	38.0	38.0	13.5	27	18	10.0	106.8	50
CL 16×12-04		R 1/2	42.0	42.0	15.0				119.3	20
CL 16×13-03		R 3/8	38.0	38.0	13.5				104.3	50
CL 16×13-04		R 1/2	42.0	42.0	15.0				117.5	20



INCH-BSPT(R)

MODEL	∅D	T	L	E	A	H1(Hex)	H2(Hex)	ORIFICE	WEIGHT(g)	BOX(EA)
CL 3/16 - 01	3/16	R 1/8	23.9	30.5	11.0	10	12	2.4	18.0	100
CL 3/16 - 02		R 1/4	27.4	34.5	12.0				28.0	100
CL 1/4 - 01	1/4	R 1/8	25.4	30.5	11.0	12	12	3.4	20.0	100
CL 1/4 - 02		R 1/4	28.9	34.5	12.0				26.0	50
CL 1/4 - 03		R 3/8	32.9	38.5	13.0				44.0	50
CL 5/16 - 01	5/16	R 1/8	28.9	34.5	11.0	14	12	4.7	30.0	50
CL 5/16 - 02		R 1/4	29.9	34.5	12.0				32.0	50
CL 5/16 - 03		R 3/8	33.9	38.5	13.0				48.0	50
CL 3/8 - 01	3/8	R 1/8	30.9	35.5	11.0	17	12	5.7	35.0	50
CL 3/8 - 02		R 1/4	31.9	35.5	12.0				50.0	50
CL 3/8 - 03		R 3/8	35.9	38.5	13.0				50.0	50
CL 3/8 - 04		R 1/4	42.9	39.5	18.0				84.0	25
CL 1/2 - 02	1/2	R 1/4	35.9	40.5	12.0	19	14	8.2	50.0	50
CL 1/2 - 03		R 3/8	36.9	40.5	13.0				53.0	50
CL 1/2 - 04		R 1/2	43.9	43.5	18.0				76.0	25

