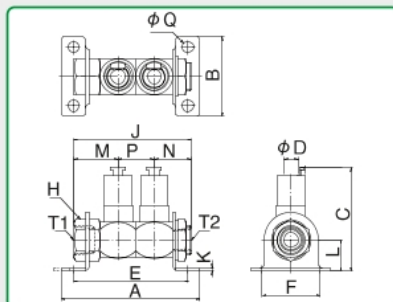


フリージョイント 3 タッチコネクタータイプ

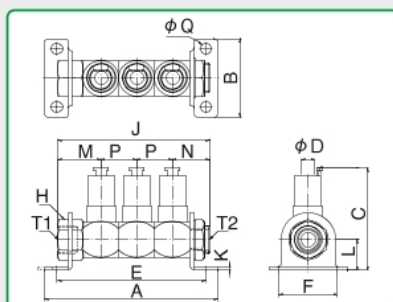
FREE JOINT SERIES 3

2-ウェイ 2-WAY



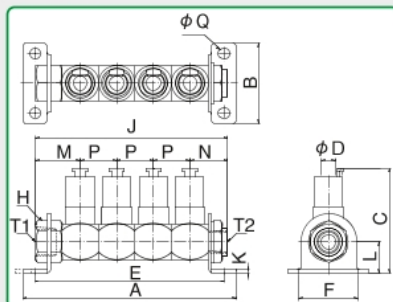
型式 Model	A	B	C	適用 チューブ外径 Tube O. D. φD	E	F	二面幅 Spanner Flats H	J	K	L	M	N	P	φQ	ねじサイズ Thread		重量 Weight (g)
															T1	T2	
2MK1-04	73.0	46.0	52.2	4	59.0	34.0	17.0	59.0	2.0	18.0	23.5	18.5	17.0	6.5	Rc1/4	Rc1/8	170.2
2MK1-06	73.0	46.0	56.2	6	59.0	34.0	17.0	59.0	2.0	18.0	23.5	18.5	17.0	6.5	Rc1/4	Rc1/8	181.6
2MK2-06	81.0	46.0	58.2	6	67.0	34.0	21.0	68.0	2.0	18.0	25.5	21.5	21.0	6.5	Rc3/8	Rc1/4	242.2
2MK2-08	81.0	46.0	60.2	8	67.0	34.0	21.0	68.0	2.0	18.0	25.5	21.5	21.0	6.5	Rc3/8	Rc1/4	243.2
2MK3-08	85.0	52.0	60.7	8	71.0	40.0	23.0	71.0	2.0	21.0	26.5	21.5	23.0	6.5	Rc3/8	Rc1/4	313.4
2MK3-10	85.0	52.0	66.4	10	71.0	40.0	23.0	71.0	2.0	21.0	26.5	21.5	23.0	6.5	Rc3/8	Rc1/4	315.2
2MK4-10	93.0	52.0	67.9	10	79.0	40.0	26.0	83.0	2.0	21.0	33.0	24.0	26.0	6.5	Rc1/2	Rc3/8	388.4
2MK4-12	93.0	52.0	71.9	12	79.0	40.0	26.0	83.0	2.0	21.0	33.0	24.0	26.0	6.5	Rc1/2	Rc3/8	403.0

3-ウェイ 3-WAY



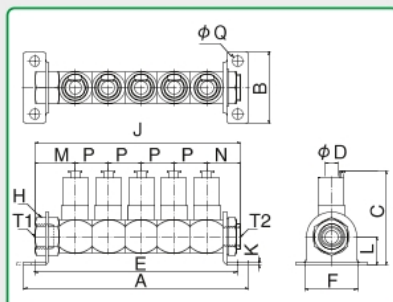
型式 Model	A	B	C	適用 チューブ外径 Tube O. D. φD	E	F	二面幅 Spanner Flats H	J	K	L	M	N	P	φQ	ねじサイズ Thread		重量 Weight (g)
															T1	T2	
3MK1-04	90.0	46.0	52.2	4	76.0	34.0	17.0	76.0	2.0	18.0	23.5	18.5	17.0	6.5	Rc1/4	Rc1/8	211.0
3MK1-06	90.0	46.0	56.2	6	76.0	34.0	17.0	76.0	2.0	18.0	23.5	18.5	17.0	6.5	Rc1/4	Rc1/8	234.4
3MK2-06	102.0	46.0	58.2	6	88.0	34.0	21.0	89.0	2.0	18.0	25.5	21.5	21.0	6.5	Rc3/8	Rc1/4	326.0
3MK2-08	102.0	46.0	60.2	8	88.0	34.0	21.0	89.0	2.0	18.0	25.5	21.5	21.0	6.5	Rc3/8	Rc1/4	326.4
3MK3-08	108.0	52.0	60.7	8	94.0	40.0	23.0	94.0	2.0	21.0	26.5	21.5	23.0	6.5	Rc3/8	Rc1/4	411.0
3MK3-10	108.0	52.0	66.4	10	94.0	40.0	23.0	94.0	2.0	21.0	26.5	21.5	23.0	6.5	Rc3/8	Rc1/4	421.0
3MK4-10	119.0	52.0	67.9	10	105.0	40.0	26.0	109.0	2.0	21.0	33.0	24.0	26.0	6.5	Rc1/2	Rc3/8	520.4
3MK4-12	119.0	52.0	71.9	12	105.0	40.0	26.0	109.0	2.0	21.0	33.0	24.0	26.0	6.5	Rc1/2	Rc3/8	539.4

4-ウェイ 4-WAY



型式 Model	A	B	C	適用 チューブ外径 Tube O. D. φD	E	F	二面幅 Spanner Flats H	J	K	L	M	N	P	φQ	ねじサイズ Thread		重量 Weight (g)
															T1	T2	
4MK1-04	107.0	46.0	52.2	4	93.0	34.0	17.0	93.0	2.0	18.0	23.5	18.5	17.0	6.5	Rc1/4	Rc1/8	272.4
4MK1-06	107.0	46.0	56.2	6	93.0	34.0	17.0	93.0	2.0	18.0	23.5	18.5	17.0	6.5	Rc1/4	Rc1/8	290.4
4MK2-06	123.0	46.0	58.2	6	109.0	34.0	21.0	110.0	2.0	18.0	25.5	21.5	21.0	6.5	Rc3/8	Rc1/4	407.2
4MK2-08	123.0	46.0	60.2	8	109.0	34.0	21.0	110.0	2.0	18.0	25.5	21.5	21.0	6.5	Rc3/8	Rc1/4	406.4
4MK3-08	131.0	52.0	60.7	8	117.0	40.0	23.0	117.0	2.0	21.0	26.5	21.5	23.0	6.5	Rc3/8	Rc1/4	514.4
4MK3-10	131.0	52.0	66.4	10	117.0	40.0	23.0	117.0	2.0	21.0	26.5	21.5	23.0	6.5	Rc3/8	Rc1/4	527.2
4MK4-10	145.0	52.0	67.9	10	131.0	40.0	26.0	135.0	2.0	21.0	33.0	24.0	26.0	6.5	Rc1/2	Rc3/8	656.2
4MK4-12	145.0	52.0	71.9	12	131.0	40.0	26.0	135.0	2.0	21.0	33.0	24.0	26.0	6.5	Rc1/2	Rc3/8	679.8

5-ウェイ 5-WAY



型式 Model	A	B	C	適用 チューブ外径 Tube O. D. φD	E	F	二面幅 Spanner Flats H	J	K	L	M	N	P	φQ	ねじサイズ Thread		重量 Weight (g)
															T1	T2	
5MK1-04	124.0	46.0	52.2	4	110.0	34.0	17.0	110.0	2.0	18.0	23.5	18.5	17.0	6.5	Rc1/4	Rc1/8	322.2
5MK1-06	124.0	46.0	56.2	6	110.0	34.0	17.0	110.0	2.0	18.0	23.5	18.5	17.0	6.5	Rc1/4	Rc1/8	346.2
5MK2-06	144.0	46.0	58.2	6	130.0	34.0	21.0	131.0	2.0	18.0	25.5	21.5	21.0	6.5	Rc3/8	Rc1/4	486.8
5MK2-08	144.0	46.0	60.2	8	130.0	34.0	21.0	131.0	2.0	18.0	25.5	21.5	21.0	6.5	Rc3/8	Rc1/4	489.6
5MK3-08	154.0	52.0	60.7	8	140.0	40.0	23.0	140.0	2.0	21.0	26.5	21.5	23.0	6.5	Rc3/8	Rc1/4	617.8
5MK3-10	154.0	52.0	66.4	10	140.0	40.0	23.0	140.0	2.0	21.0	26.5	21.5	23.0	6.5	Rc3/8	Rc1/4	632.4
5MK4-10	171.0	52.0	67.9	10	157.0	40.0	26.0	161.0	2.0	21.0	33.0	24.0	26.0	6.5	Rc1/2	Rc3/8	792.6
5MK4-12	171.0	52.0	71.9	12	157.0	40.0	26.0	161.0	2.0	21.0	33.0	24.0	26.0	6.5	Rc1/2	Rc3/8	822.8