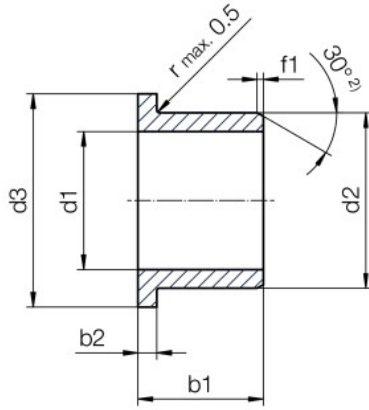


## フランジ型 (形状F)



2) 肉厚 < 1 mm、面取り = 20°

### 内径d1と面取りの関係

d1 [mm]:	Ø 1~6	Ø 6~12	Ø 12~30	Ø > 30
f [mm]:	0.3	0.5	0.8	1.2

### 寸法 [mm]

d1	d1公差 <sup>3)</sup>	d2	d3	b1	b2	製品番号
			d13	h13	-0.14	
2.0	+0.006	4.0	6.0	3.0	1.0	XFM-020406-03
3.0	+0.046	4.5	7.5	5.0	0.75	XFM-0304-05
4.0		5.5	9.5	4.0	0.75	XFM-0405-04
4.0		5.5	9.5	6.0	0.75	XFM-0405-06
4.0	+0.010	5.5	8.0	6.0	0.75	XFM-040508-06
5.0	+0.058	7.0	11.0	5.0	1.0	XFM-0507-05
6.0		8.0	12.0	4.0	1.0	XFM-0608-04
6.0		8.0	12.0	8.0	1.0	XFM-0608-08
6.0		8.0	12.0	10.0	1.0	XFM-0608-10
8.0		10.0	15.0	5.5	1.0	XFM-0810-05
8.0		10.0	15.0	7.5	1.0	XFM-0810-07
8.0		10.0	15.0	8.0	1.0	XFM-0810-08
8.0		10.0	15.0	9.0	1.0	XFM-0810-09
8.0		10.0	12.0	4.0	1.0	XFM-081012-04
8.0		10.0	14.0	31.5	1.0	XFM-081014-31
9.0		11.0	15.0	18.0	0.5	XFM-0911-18
10.0		12.0	18.0	5.0	1.0	XFM-1012-05
10.0	+0.013	12.0	18.0	6.0	1.0	XFM-1012-06
10.0	+0.071	12.0	18.0	7.0	1.0	XFM-1012-07
10.0		12.0	15.0	8.0	1.0	XFM-1012-08
10.0		12.0	18.0	9.0	1.0	XFM-1012-09
10.0		12.0	18.0	12.0	1.0	XFM-1012-12
10.0		12.0	18.0	15.0	1.0	XFM-1012-15
10.0		12.0	18.0	17.0	1.0	XFM-1012-17
10.0		12.0	18.0	18.0	1.0	XFM-1012-18
10.0		12.0	15.0	22.0	1.0	XFM-1012-22
10.0		12.0	18.0	25.0	1.0	XFM-1012-25

3) 圧入後。試験方法 ▶ p.57

### 製品番号の構成

形状 寸法 [mm]

X F M -03 04 -05

イグリデュール材質	形状F	mm	内径 d1	外径 d2	長さ b1
-----------	-----	----	-------	-------	-------

i ISO 3547-1による寸法公差

inch インチサイズはご相談下さい

d1	d1公差 <sup>3)</sup>	d2	d3	b1	b2	製品番号
			d13	h13	-0.14	
12.0		14.0	20.0	5.5	1.0	XFM-1214-055
12.0		14.0	20.0	7.0	1.0	XFM-1214-07
12.0		14.0	20.0	9.0	1.0	XFM-1214-09
12.0	+0.016	14.0	20.0	12.0	1.0	XFM-1214-12
12.0	+0.086	14.0	20.0	15.0	1.0	XFM-1214-15
12.0		14.0	20.0	17.0	1.0	XFM-1214-17
12.0		14.0	18.0	3.9	1.0	XFM-121418-039
12.0		14.0	18.0	5.9	1.0	XFM-121418-059
14.0		16.0	22.0	10.0	1.0	XFM-1416-10
14.0		16.0	22.0	12.0	1.0	XFM-1416-12
14.0		16.0	22.0	17.0	1.0	XFM-1416-17
15.0		17.0	23.0	6.0	1.0	XFM-1517-06
15.0		17.0	23.0	9.0	1.0	XFM-1517-09
15.0	+0.016	17.0	23.0	12.0	1.0	XFM-1517-12
15.0	+0.086	17.0	23.0	17.0	1.0	XFM-1517-17
16.0		18.0	24.0	12.0	1.0	XFM-1618-12
16.0		18.0	24.0	17.0	1.0	XFM-1618-17
18.0		20.0	26.0	12.0	1.0	XFM-1820-12
18.0		20.0	26.0	17.0	1.0	XFM-1820-17
18.0		20.0	26.0	22.0	1.0	XFM-1820-22
20.0		23.0	30.0	6.5	1.5	XFM-2023-065
20.0		23.0	30.0	7.5	1.5	XFM-2023-075
20.0		23.0	30.0	11.0	1.5	XFM-2023-11
20.0	+0.020	23.0	30.0	16.5	1.5	XFM-2023-16
20.0	+0.104	23.0	30.0	21.0	1.5	XFM-2023-21
25.0		28.0	35.0	11.5	1.5	XFM-2528-11
25.0		28.0	35.0	13.5	1.5	XFM-2528-13