

手動 / Manual

WITH NW-KF FLANGES 1FLV SERIES



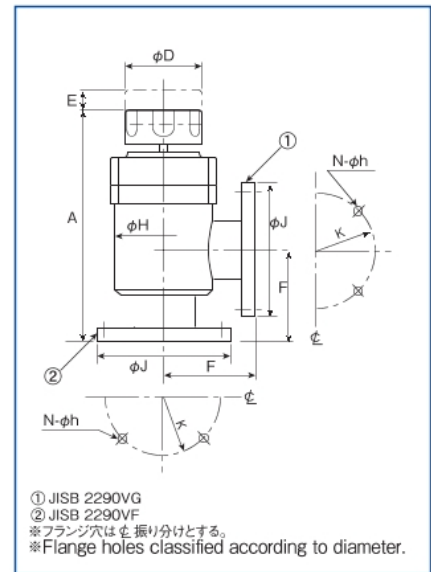
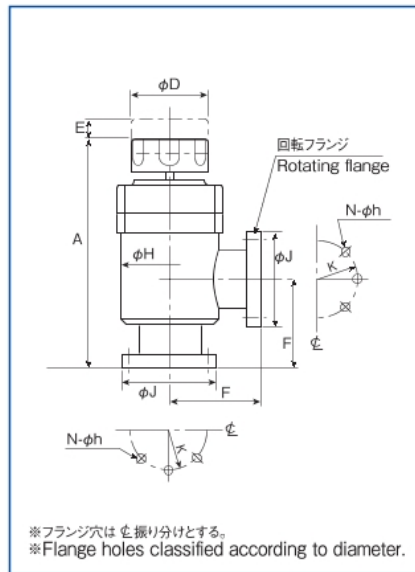
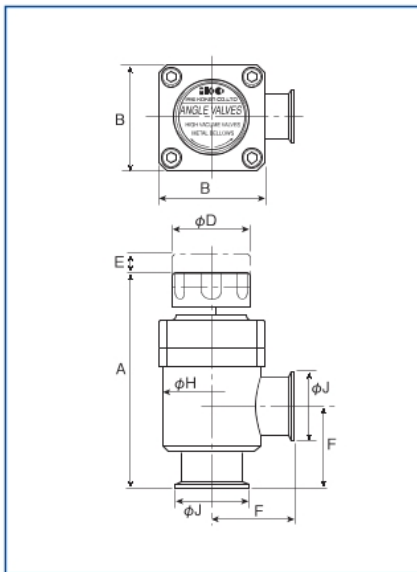
WITH CF FLANGES 2FLV SERIES



WITH JIS FLANGES 3FLV SERIES



外觀圖 / Schematic diagram



寸法表 / Table of dimensions

手動 : M / Manual:M

Dimensions Model No.	A	B	ØH	ØD	E	F	ØJ	K	N- Øh	Approximate Weight (kg)
1FLV - 16M	124.5	47	40	43	6	40	30	-	-	0.6
〃 - 25M	136	59	54	43	8	50	40	-	-	1.0
〃 - 40M	163	81	76	60	15	65	55	-	-	1.6
〃 - 50M	176.5	92	89	60	20	70	75	-	-	2.3
〃 - 63M	204.5	110	110	60	25	88	87	-	-	4.1
2FLV - 70M	168	81	76	60	15	70	69.3	58.7	6-6.8	2.1
〃 - 114M	191.5	92	89	60	20	85	113.5	92.2	8-8.5	4.2
3FLV - 25M	146	59	54	43	8	60	90	70	4-10	1.6
〃 - 40M	168	81	76	60	15	70	105	85	4-10	2.7
〃 - 50M	189.5	92	89	60	20	83	120	100	4-10	3.8
〃 - 65M	216.5	110	110	60	25	100	145	120	4-12	5.8