

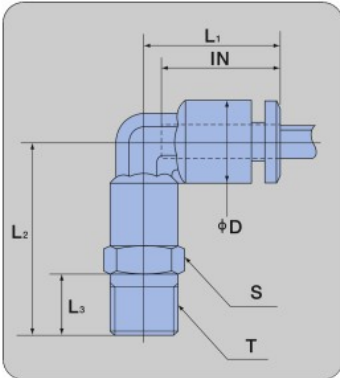
# PLBM

エルボ

Male elbow

樹脂製

Plastic body



部品番号 PART NO.	適用チューブ 外径 TUBE O.D. TO BE USED (mm)	T (R·M)	φD (mm)	S 六角 対辺 HEX (mm)	L <sub>1</sub> (mm)	L <sub>2</sub> (mm)	L <sub>3</sub> (mm)	IN (mm)	重量 WEIGHT (g)	最小内径 ORIFICE (mm)	有効断面積 EFFECTIVE SECTIONAL AREA (mm <sup>2</sup> )	
											ナイロンチューブ NYLON TUBE	ウレタンチューブ POLYURETHANE TUBE
PLBM- 4-M5-PM	4	M5	10.5	10	17	23	5	13	7	2.5	2.5	2.5
PLBM- 4-PT1/8-PM	4	1/8	10.5	10	17	26	8	13	11	3	2.7	2.7
PLBM- 4-PT1/4-PM	4	1/4	10.5	14	17	29	11	13	14	3	2.7	2.7
PLBM- 6-M5-PM	6	M5	12.5	12	18	24	5	14	10	2.5	3.6	3.6
PLBM- 6-PT1/8-PM	6	1/8	12.5	12	18	27	8	14	13	4	6.8	6.8
PLBM- 6-PT1/4-PM	6	1/4	12.5	14	18	30	11	14	17	4	6.8	6.8
PLBM- 6-PT3/8-PM	6	3/8	12.5	17	18	31	12	14	27	4	6.8	6.8
PLBM- 8-PT1/8-PM	8	1/8	14.5	14	19	28	8	15	14	6	20.9	15.7
PLBM- 8-PT1/4-PM	8	1/4	14.5	14	19	31	11	15	20	6	20.9	15.7
PLBM- 8-PT3/8-PM	8	3/8	14.5	17	19	32	12	15	25	6	20.9	15.7
PLBM-10-PT1/8-PM	10	1/8	19	17	25	34	9	19	27	6	21.1	20.6
PLBM-10-PT1/4-PM	10	1/4	19	17	25	37	12	19	31	7.5	36.0	27.0
PLBM-10-PT3/8-PM	10	3/8	19	17	25	37	12	19	37	7.5	36.0	27.0
PLBM-10-PT1/2-PM	10	1/2	19	22	25	41	16	19	41	7.5	36.0	27.0
PLBM-12-PT1/8-PM	12	1/8	22	19	28	37	9	21	37	8	38.9	28.9
PLBM-12-PT1/4-PM	12	1/4	22	19	28	40	12	21	39	9	53.0	43.0
PLBM-12-PT3/8-PM	12	3/8	22	19	28	40	12	21	45	9	53.0	43.0
PLBM-12-PT1/2-PM	12	1/2	22	22	28	44	16	21	61	9	53.0	43.0

※R (PT) ネジには、ネジサイズが一目で判別できるR (PT) ネジ別の色シールがついています。PAT.NO.1820889  
The R (PT) screws have different color seals so that they can be distinguished at a glance.  
●R1/8: 白 white ●R1/4: 青 blue ●R3/8: 黄 yellow ●R1/2: 灰 gray