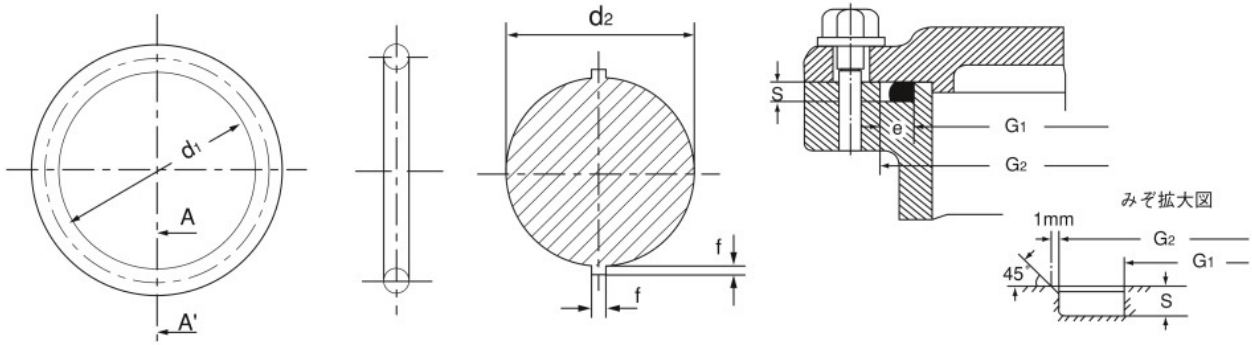


真空フランジ用のみぞ部の寸法及び形状 (JIS-B-2401-1、JIS-B-2401-2)



(単位 mm)

| 呼 番 | び 号 | O リング 実寸法 | | | | | フランジみぞ部の寸法 | | | | |
|--------|--------|----------------|----------------|---------|-------|-------|------------|----|-----|-----|---|
| | | d ₂ | d ₁ | 材質群別許容差 | | | A 呼び径 | G1 | G2 | e | s |
| | | | | ① | ② | ③ | | | | | |
| *V | 3 | ±0.12 | 2.5 | ±0.20 | ±0.24 | ±0.30 | | 3 | | | |
| *V | 4 | | 3.5 | ±0.20 | ±0.24 | ±0.30 | | 4 | | | |
| *V | 5 | | 4.5 | ±0.20 | ±0.24 | ±0.30 | | 5 | | | |
| *V | 6 | | 5.5 | ±0.20 | ±0.24 | ±0.30 | | 6 | | | |
| *V | 7 | | 6.5 | ±0.20 | ±0.24 | ±0.30 | | 7 | | | |
| *V | 8 | | 7.5 | ±0.20 | ±0.24 | ±0.30 | | 8 | | | |
| *V | 9 | | 8.5 | ±0.20 | ±0.24 | ±0.30 | | 9 | | | |
| *V | 10 | | 9.5 | ±0.20 | ±0.24 | ±0.30 | | 10 | | | |
| *V | 11 | | 10.5 | ±0.20 | ±0.24 | ±0.30 | | 11 | | | |
| *V | 12 | | 11.5 | ±0.20 | ±0.24 | ±0.30 | | 12 | | | |
| *V | 14 | 13.5 | ±0.20 | ±0.24 | ±0.30 | | 14 | | | | |
| V | 15 | 14.5 | ±0.20 | ±0.24 | ±0.30 | | 15 | 25 | | | |
| *V | 16 | 15.5 | ±0.24 | ±0.29 | ±0.36 | | 16 | | | | |
| *V | 18 | 17.5 | ±0.24 | ±0.29 | ±0.36 | | 18 | | | | |
| *V | 20 | 19.5 | ±0.24 | ±0.29 | ±0.36 | | 20 | | | | |
| *V | 21 | 20.5 | ±0.24 | ±0.29 | ±0.36 | | 21 | | | | |
| *V | 22 | 21.5 | ±0.24 | ±0.29 | ±0.36 | | 22 | | | | |
| V | 24 | 23.5 | ±0.24 | ±0.29 | ±0.36 | 10 | 24 | 34 | | | |
| *V | 25 | 24.5 | ±0.33 | ±0.40 | ±0.50 | | 25 | | | | |
| *V | 26 | 25.5 | ±0.33 | ±0.40 | ±0.50 | | 26 | | 5.0 | 3.0 | |
| *V | 28 | 27.5 | ±0.33 | ±0.40 | ±0.50 | | 28 | | | | |
| *V | 30 | 29.5 | ±0.33 | ±0.40 | ±0.50 | | 30 | | | | |
| *V | 32 | 31.5 | ±0.33 | ±0.40 | ±0.50 | | 32 | | | | |
| V | 34 | ±0.10 | 33.5 | ±0.33 | ±0.40 | ±0.50 | 20 | 34 | 44 | | |
| *V | 35 | | 34.5 | ±0.37 | ±0.45 | ±0.56 | | 35 | | | |
| *V | 36 | | 35.5 | ±0.37 | ±0.45 | ±0.56 | | 36 | | | |
| *V | 38 | | 37.5 | ±0.37 | ±0.45 | ±0.56 | | 38 | | | |
| V | 40 | | 39.5 | ±0.37 | ±0.45 | ±0.56 | 25 | 40 | 50 | | |
| *V | 42 | | 41.5 | ±0.49 | ±0.59 | ±0.74 | | 42 | | | |
| *V | 44 | | 43.5 | ±0.49 | ±0.59 | ±0.74 | | 44 | | | |
| *V | 45 | | 44.5 | ±0.49 | ±0.59 | ±0.74 | | 45 | | | |
| *V | 46 | | 45.5 | ±0.49 | ±0.59 | ±0.74 | | 46 | | | |
| *V | 48 | | 47.5 | ±0.49 | ±0.59 | ±0.74 | | 48 | | | |
| *V | 50 | | 49.5 | ±0.49 | ±0.59 | ±0.74 | | 50 | | | |
| *V | 53 | | 52.5 | ±0.49 | ±0.59 | ±0.74 | | 53 | | | |
| V | 55 | | 54.5 | ±0.49 | ±0.59 | ±0.74 | 40 | 55 | 65 | | |
| *V | 56 | | 55.5 | ±0.61 | ±0.74 | ±0.92 | | 56 | | | |
| *V | 58 | | 57.5 | ±0.61 | ±0.74 | ±0.92 | | 58 | | | |
| *V | 60 | | 59.5 | ±0.61 | ±0.74 | ±0.92 | | 60 | | | |
| *V | 63 | | 62.5 | ±0.61 | ±0.74 | ±0.92 | | 63 | | | |

*印は JIS 規格外寸法です。