

Standard Series of Engineering Plastics Sliding Bearings

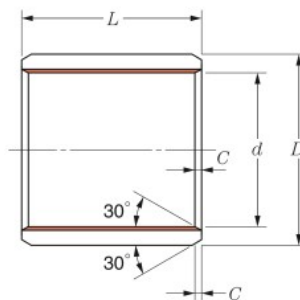
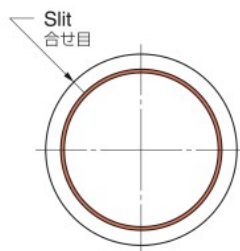
精密樹脂すべり軸受標準品

Type ML

M Liner Bearing

ML形

Mライナーベアリング



Bore diameter 内径 d	Outside diameter 外径 D	Part Name 品名								
		Length 長さ L (Tolerances 許容差 $0_{-0.25}$)								
		4	5	6	7	8	10	12	15	20
3	5	ML0304	ML0305	ML0306						
4	6	ML0404		ML0406		ML0408				
5	7	ML0504	ML0505	ML0506		ML0508				
6	8		ML0605	ML0606	ML0607	ML0608	ML0610			
7	9		ML0705		ML0707		ML0710	ML0712		
8	10			ML0806		ML0808	ML0810	ML0812		
9	11						ML0910			
10	12			ML1006	ML1007	ML1008	ML1010	ML1012	ML1015	ML1020
12	14			ML1206	ML1207	ML1208	ML1210	ML1212	ML1215	ML1220
13	15								ML1315	
14	16						ML1410	ML1412	ML1415	ML1420
15	17						ML1510	ML1512	ML1515	ML1520
16	18						ML1610	ML1612	ML1615	ML1620
17	19								ML1715	
18	20						ML1810	ML1812	ML1815	ML1820
19	22								ML1915	
20	23						ML2010	ML2012	ML2015	ML2020
22	25						ML2210	ML2212	ML2215	ML2220
24	27								ML2415	ML2420
25	28						ML2510	ML2512	ML2515	ML2520
26	30									ML2620
28	32							ML2812	ML2815	ML2820
30	34							ML3012	ML3015	ML3020
31	35									
32	36									ML3220
35	39							ML3512		ML3520
38	42									ML3820
40	44							ML4012		ML4020
45	50									ML4520
50	55						ML5010			ML5020
55	60									
60	65									
65	70									
70	75									